

Work happily



V1.3

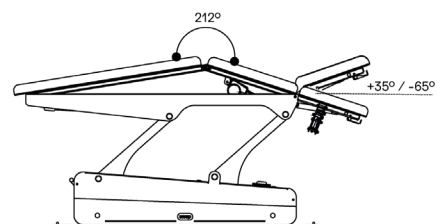
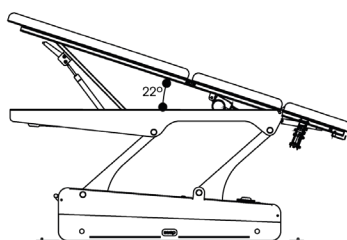
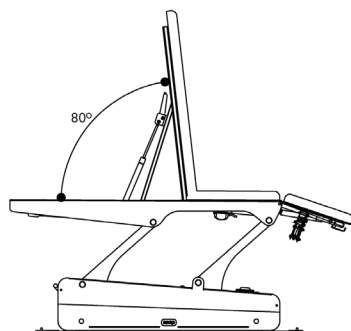
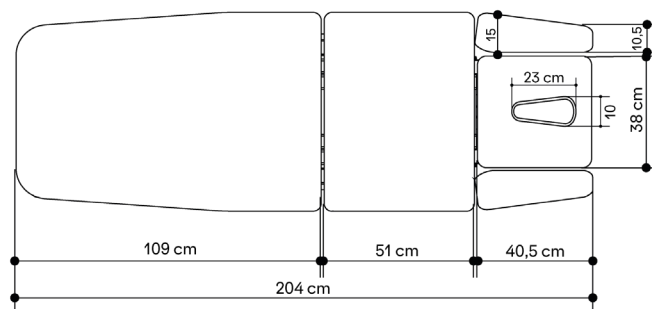
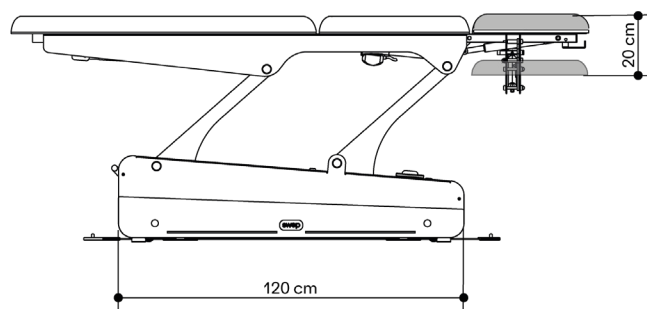
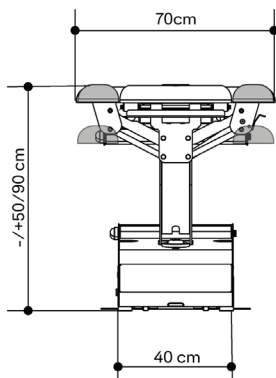
naggura'swop

naggura.com

# Swop 5 Up Physio



## Dimensions



\*The images and the colours of the products shown are as accurately as possible. However, they must be considered for information purposes only and are in no way binding and of a contractual nature.

# Swop 5 Up Physio



## General Specifications

### MOTORS

1 engine height (6000N)  
1 engine middle section  
(6000N)

### FRAME COLOUR

Space ball is RAL 7015  
Base Frame is RAL 7047

### DIMENSIONS (LENGTH X WIDTH)

204 x 70 cm

### INSULATION CLASS

Reinforced insulation II

### HEIGHT (MIN. AND MAX.)

50/90 cm

### PRODUCT CLASSIFICATION

Class I Equipment

### WEIGHT

119 kg

### APPLIED PARTS

Type B

### LIFTING CAPACITY

200 kg

### MOISTURE RESISTENCE

IPx0

### POWER SUPPLY

230 V - 50/60 Hz

### FEEDER CABLE

2,5m, white

## Operation

TwinLift® arm supports: stepless and simultaneously adjustable with gas spring. No collision with the therapist.

Head section with 2 gas springs. Foot section with 1 gas spring.

Space ball peripheral switch, easy access from all sides of the table.

4 wheels turning 360°. Fully integrated system underneath the base frame. 1 Central lever.

Electrically adjustable middle section. Switches on both sides.

Cushion with heating: XL heating elements with 2 temperature levels, auto switch-off and switches on both sides.

## Upholstery

Manipulation cushions on the middle- and footsection  
6,5 cm: multiplex wood (1,5 cm) + high density foam (4cm)  
+ low density top layer (1cm)

Headsection 6,5cm: multiplex wood (1,5 cm) + low density foam (5cm)

All cushions with straight edges and finished with saddle stitch.

Naggura Skin upholstery: 100% vinyl compound.

Protection against germs and UV rays.

Superior abrasion resistance: >250K cycles.

Flame retardancy: NF P 92-503/M2

Colour: Graphite

## Warranty and conformity

### WARRANTY

2 years on table and upholstery

### CONFORMITY

EN ISO 14971: 2019, EN ISO 20417:2021,

EN ISO 15223-1: 2016, ISO 10993-1: 2018,

EN ISO 10993-5: 2009, EN ISO 10993-10: 2013,

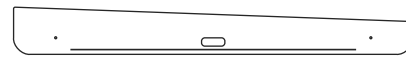
EN ISO 13485:2016,

EN 60601-2-52:2010+ AC:2011+A1:2015,

EN 60601-1-2:2015+ A1:2020,

EN 60601-1:2006+ A1:2013+AC:2014+A12:2014 +A2:2020

## Collections



### Nordic METAL



Yellow



Blue



Pink

### Foll METAL



Ash



Clay

### Iron METAL



Inox



Black

### Om WOOD



Oak



Wenge

### Techno PMMA



Fluor



Fuxia



Ice

## Accessories

### Paper roll holder



### Bamboo Sound System



### Bed Covers



## Safety

Safety switch with key (power off).  
Motor with safety clutch.